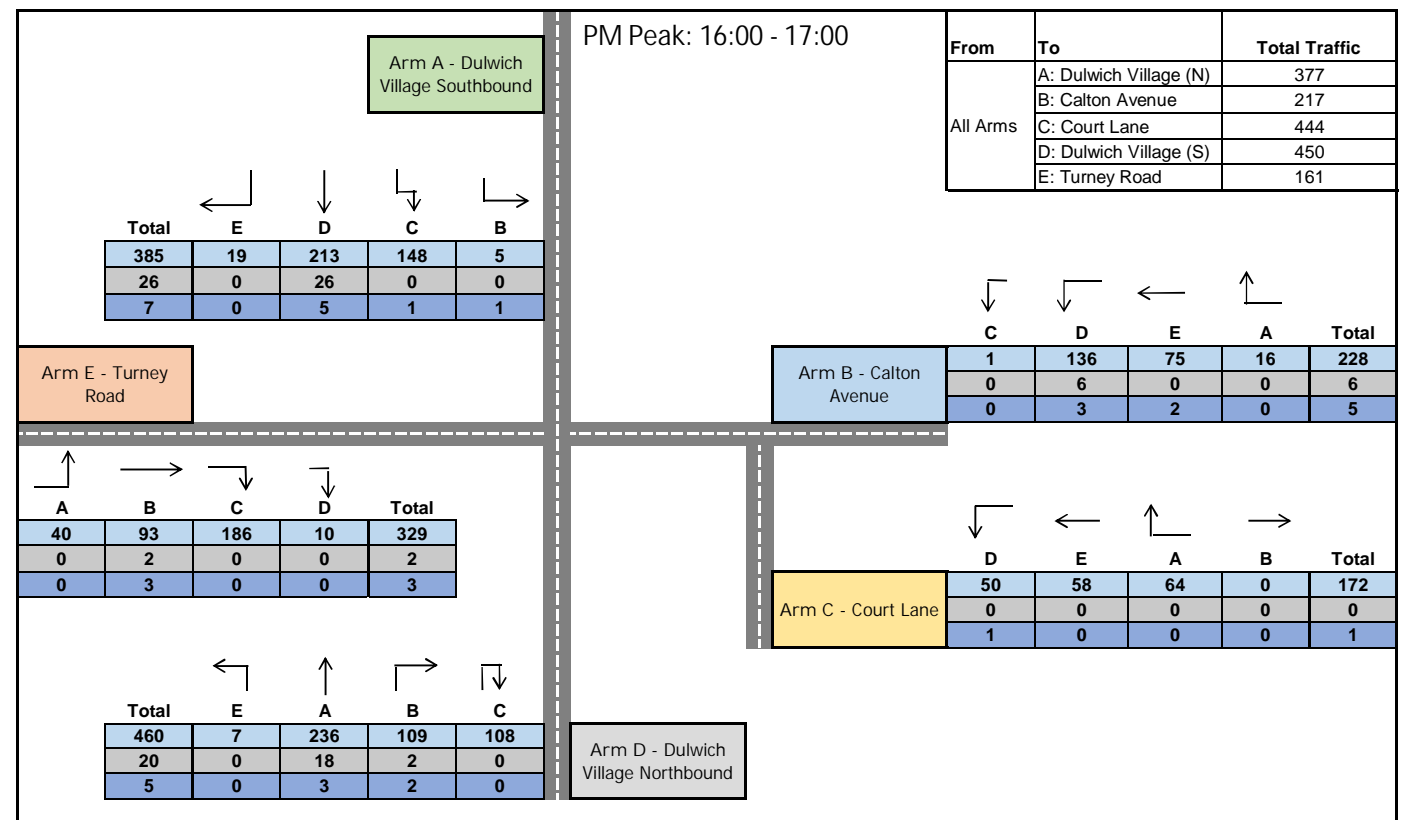
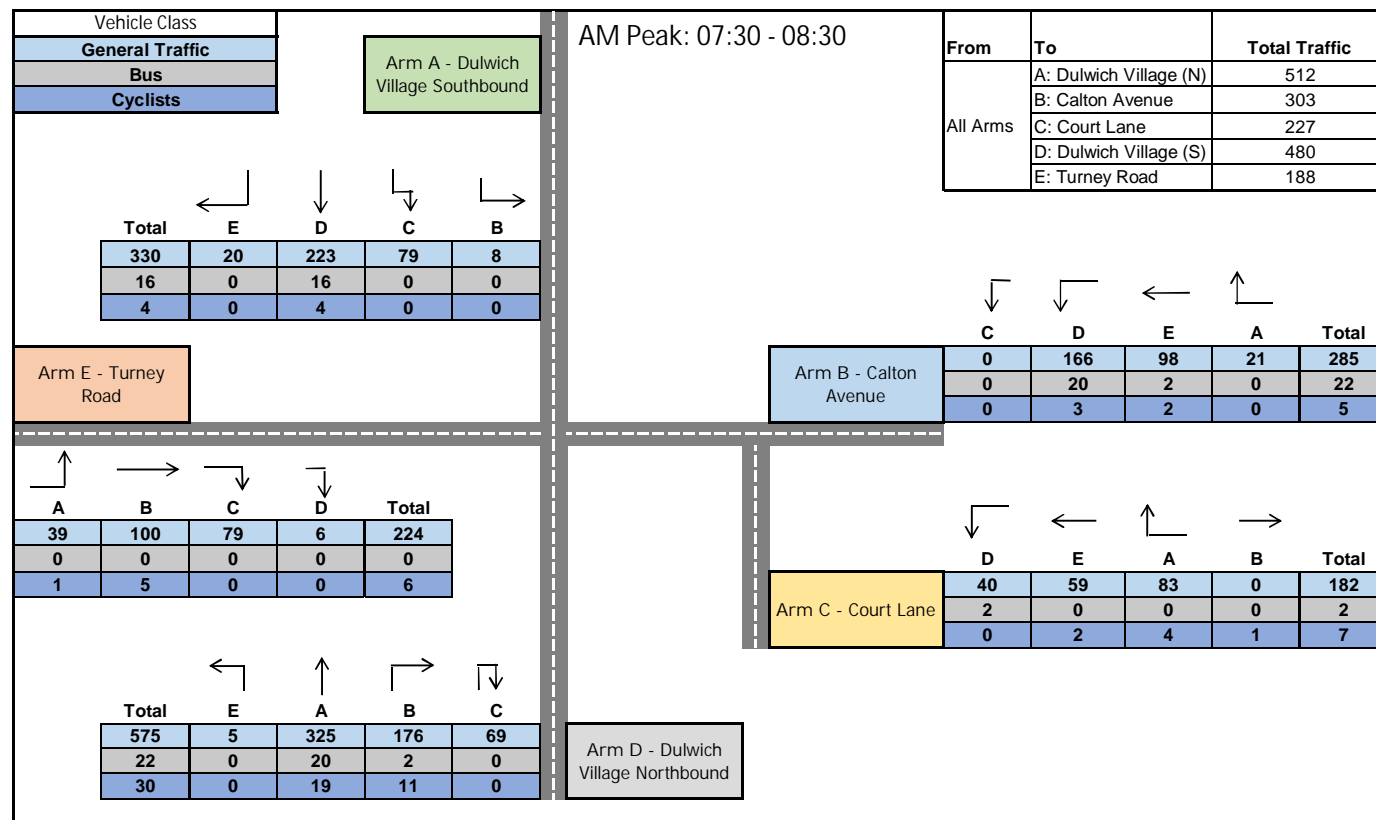
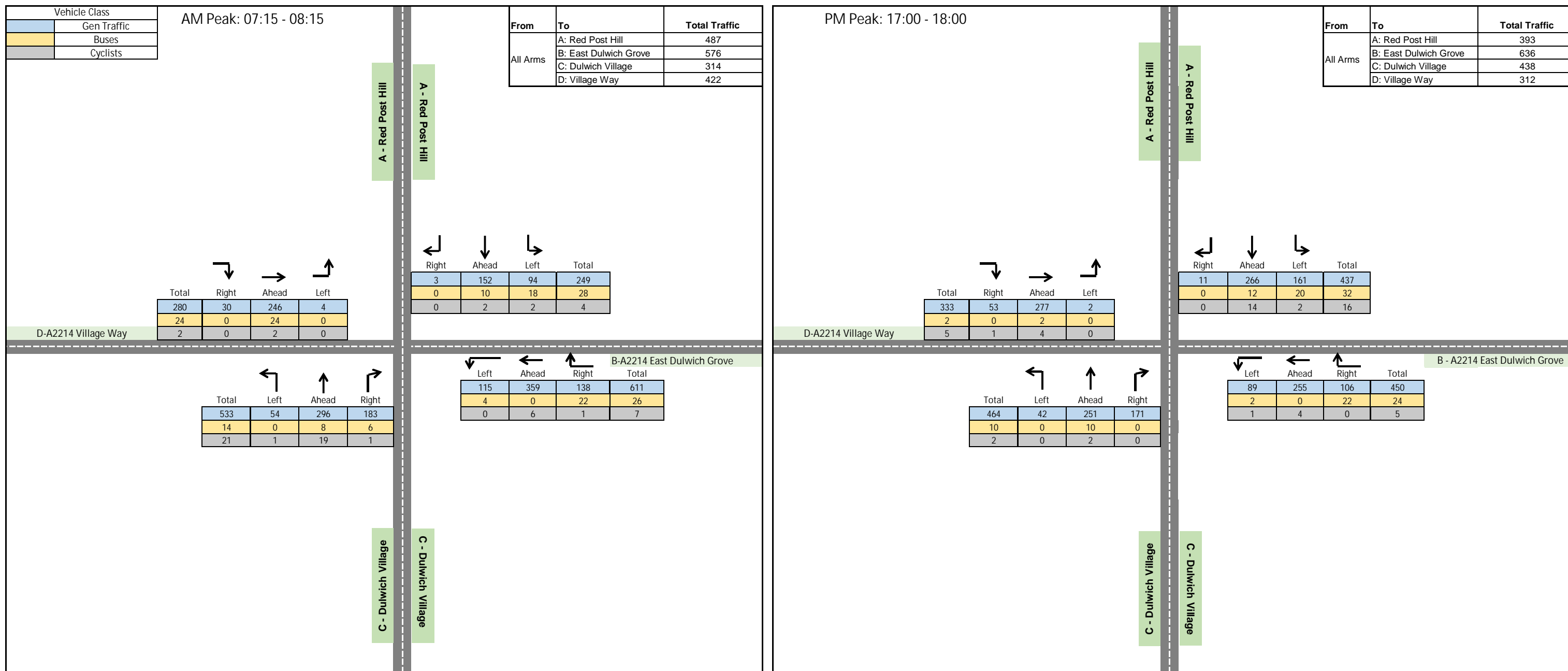


Dulwich Village / Calton Avenue / Turney Road (R1007 J08/023)



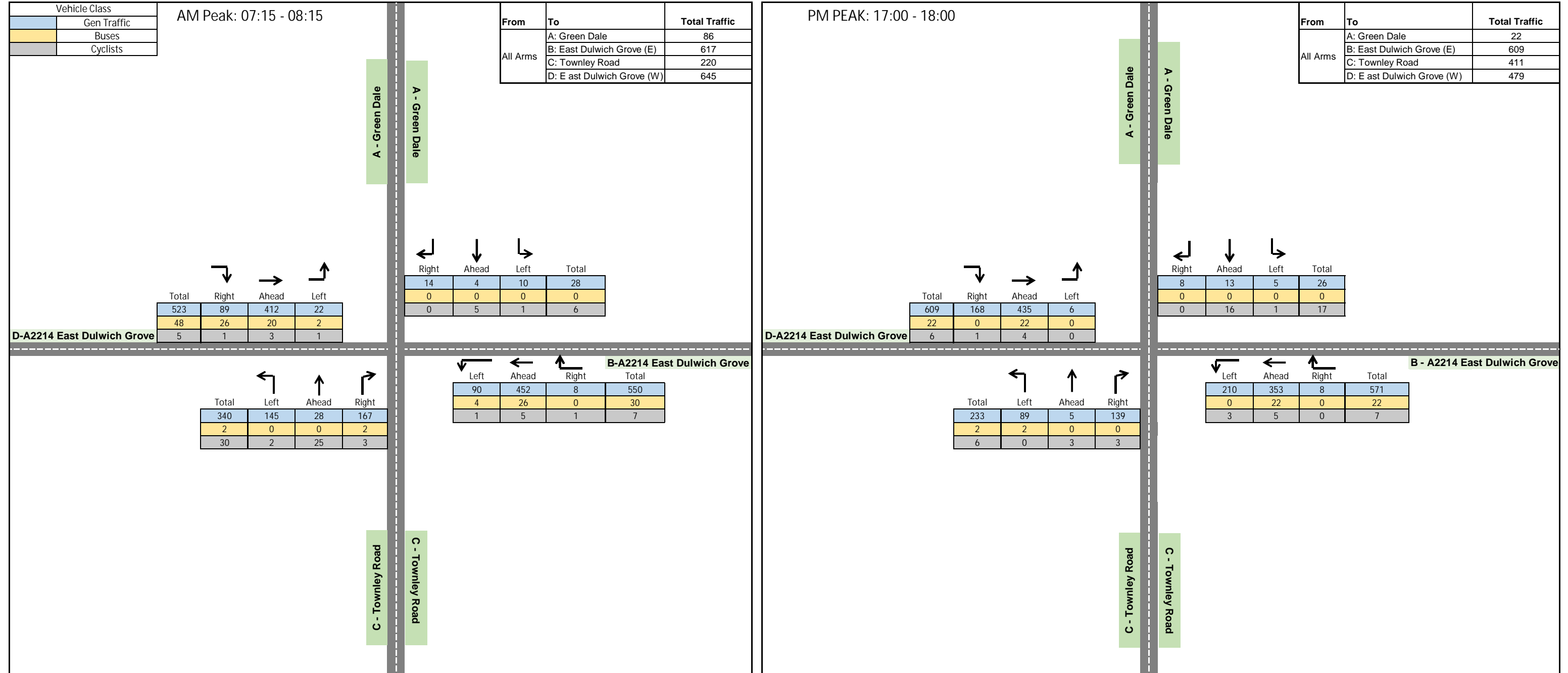
- Notes
1. Data collected on 15/11/2018
  2. All values are in PCU (Passenger Car Units)
  3. All values are balanced flows as used in Base Linsig Modelling. See report 'LinSig Base Model Validation Report (R1007)'

Red Post Hill / East Dulwich Grove / Dulwich Village / Village Way (R1005 J08/011)



- Notes
1. Data collected on 11/09/2019
  2. All values are in PCU (Passenger Car Units)
  3. All values are balanced flows as used in Base Linsig Modelling. See report 'LinSig Base Model Validation Report (R1005)'

Green Dale / East Dulwich Grove / Townley Road (R1005 J08/034)



Notes  
 1. Data collected on 11/09/2019  
 2. All values are in PCU (Passenger Car Units)  
 3. All values are balanced flows as used in Base Linsig Modelling. See report 'LinSig Base Model Validation Report (R1005)'